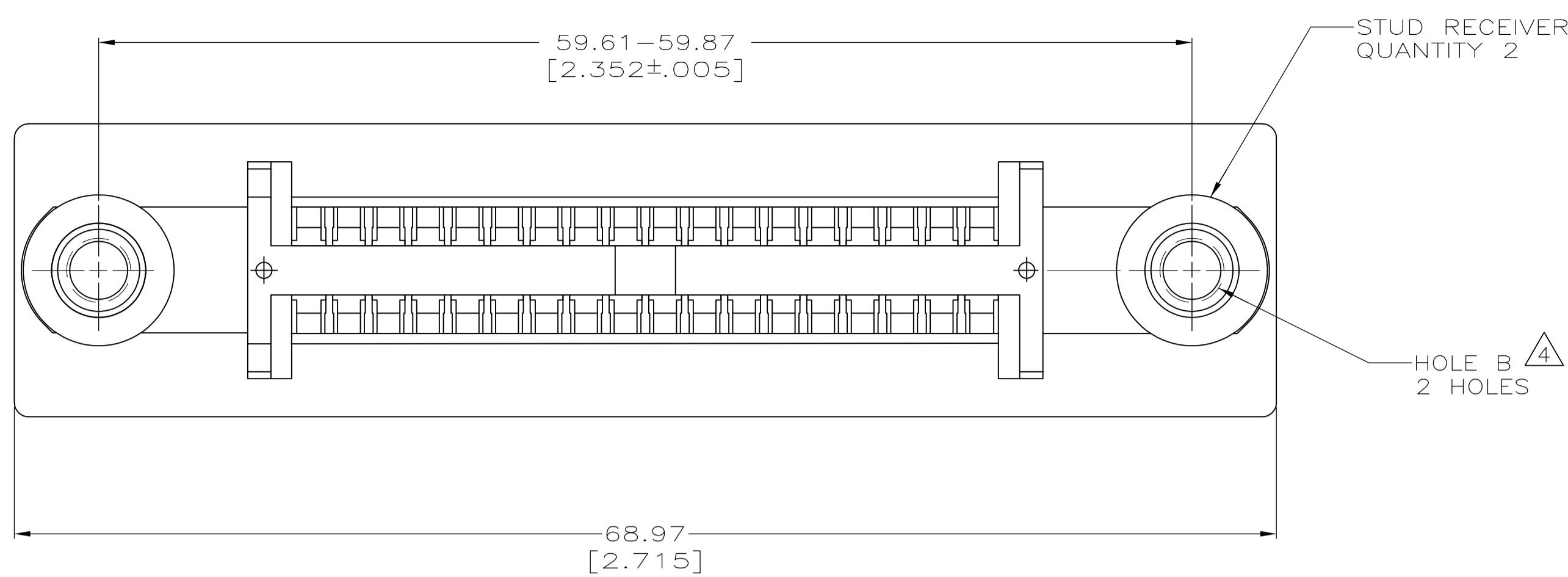
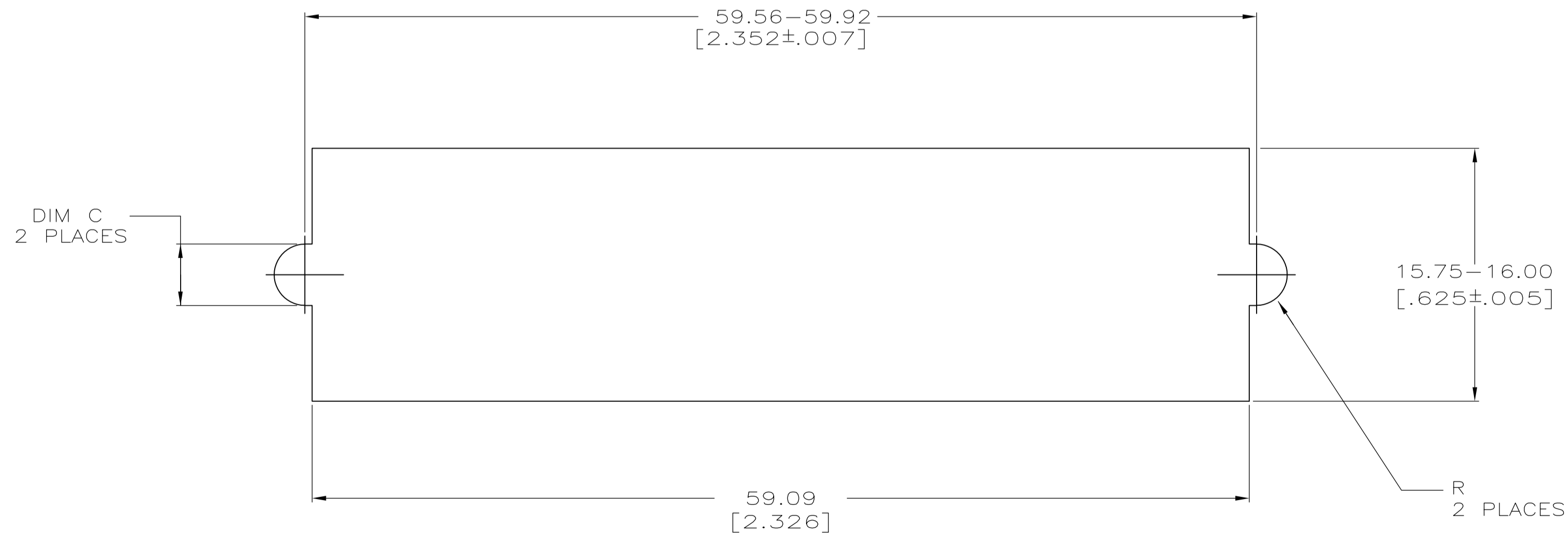
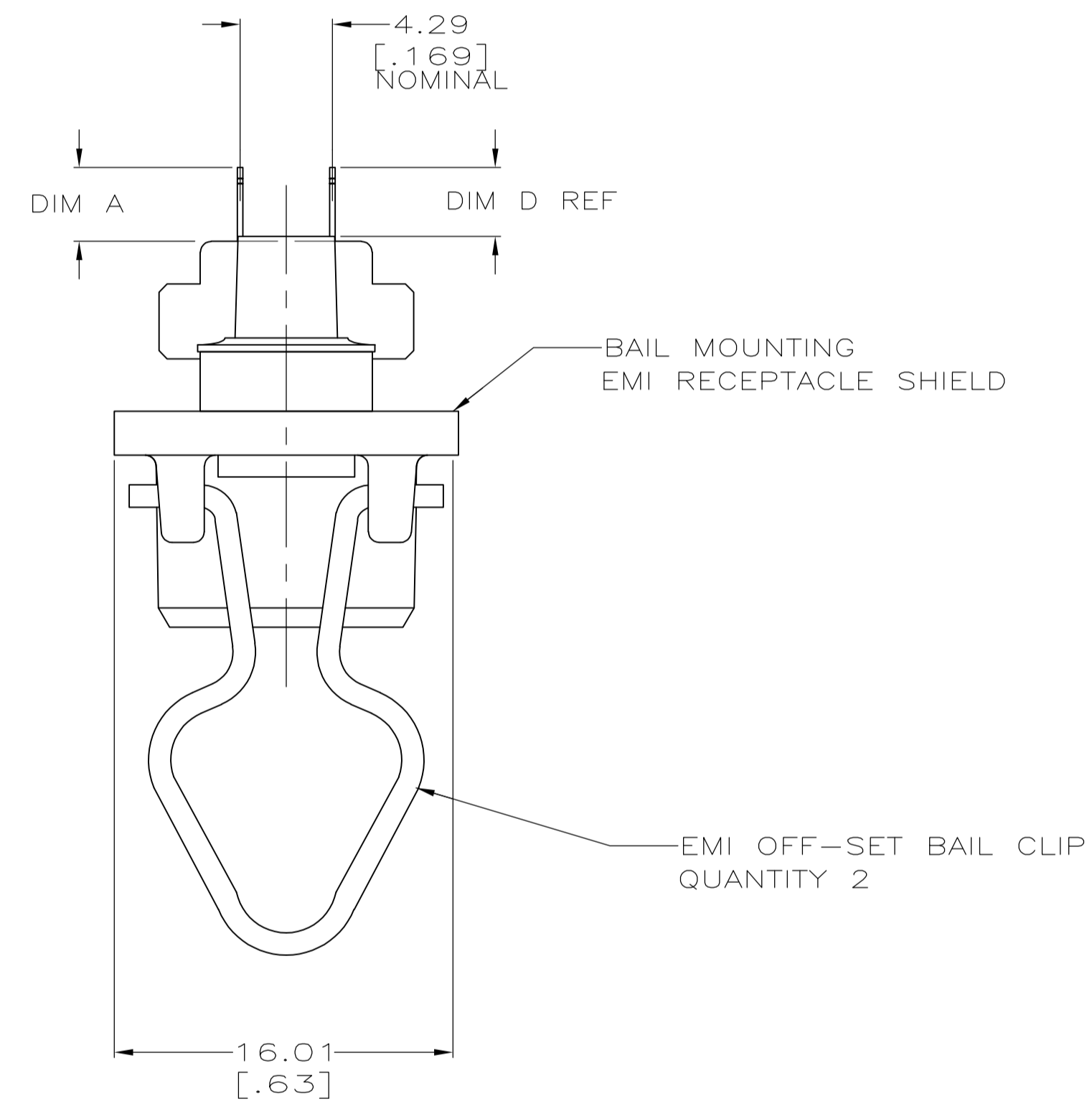
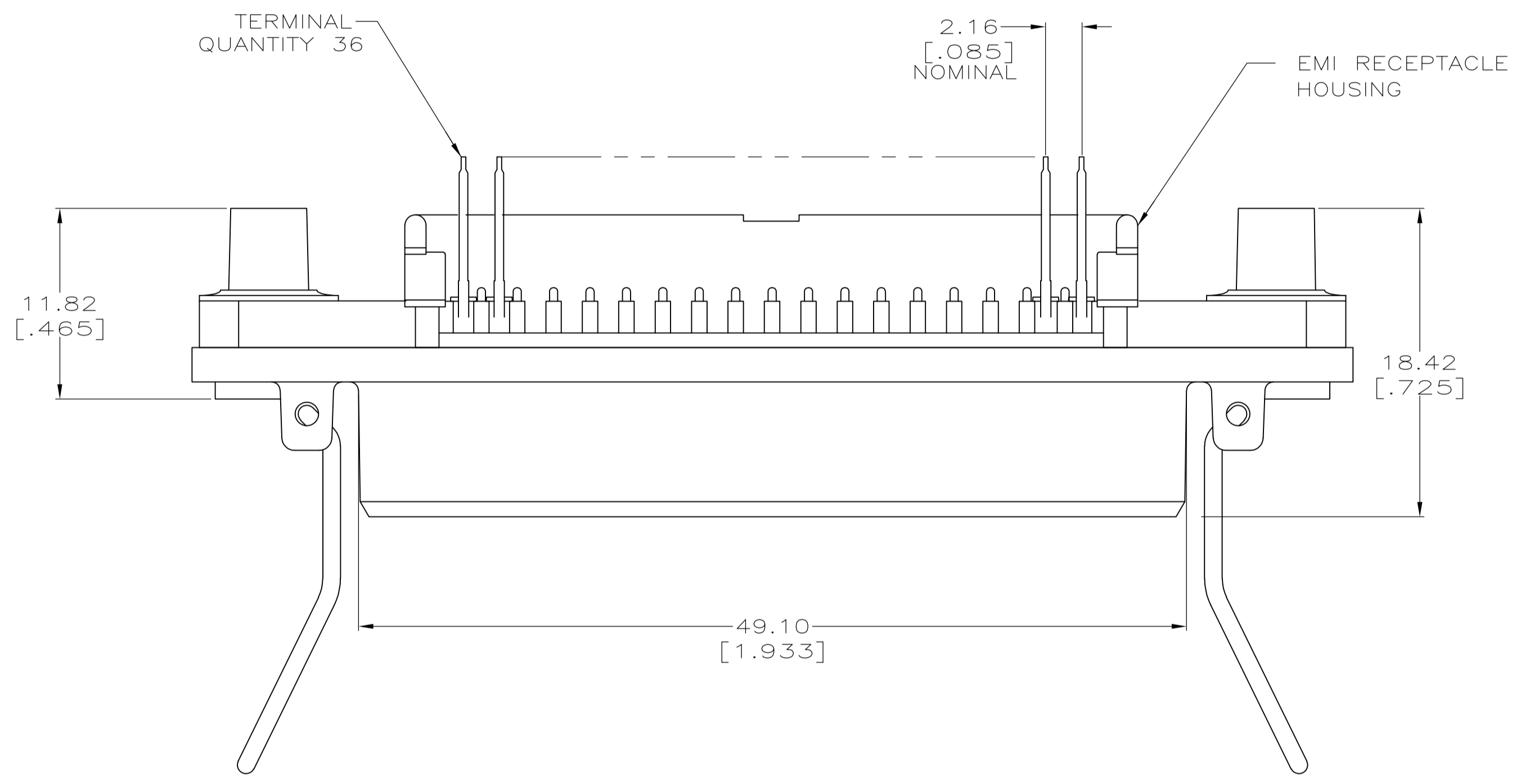


LOC		DIST		REVISIONS			
P	LTR	DESCRIPTION	DATE	DWN	APPD		
B		REVISED PER ECO-08-007327	22JUL08	BM	WM		



- 1. DIMENSIONS ARE MAXIMUM UNLESS OTHERWISE SPECIFIED.
- 2. THE CONTACT SURFACES OF THE TERMINALS ARE COATED WITH LUBRICANT.
- 3. MATERIAL: HOUSING - POLYESTER, BLACK.
 TERMINAL - PHOS BRONZE PLATED WITH EITHER 0.76μm [.000030] MINIMUM GOLD PLATE OR GOLD FLASH OVER PALLADIUM NICKEL PLATE, 0.76μm [.000030] MINIMUM TOTAL ON MATING SURFACE. 3.05μm [.000120] MINIMUM TIN PLATE ON TAILS OVER 1.27μm [.000050] MINIMUM NICKEL UNDERPLATE OVER ENTIRE TERMINAL.
 STUD RECEIVER - STAINLESS STEEL
 SHIELD - NICKEL PLATED ZINC DIE CASTING.
 BAIL CLIP - STAINLESS STEEL.
- 4. HOLES TO BE TAPPED AFTER PLATING.



SUGGESTED REAR PANEL CUTOUT DIMENSIONS

4.70 [.185]	Ø3.79±0.08 [Ø.149±.003]	5.47 [.215]	4-40UNC-2B	5554145-4
DIM. D	DIM. C	DIM. A	HOLE B	PART NUMBER
THIS DRAWING IS A CONTROLLED DOCUMENT.				
DWN: B. LATTUCA 12AUG05		Tyco Electronics Corporation		
CHK: W. MILLHIMES 12AUG05		Harrisburg, PA 17105-3608		
APPR: M. WALMSLEY 12AUG05		NAME		
DIMENSIONS: INCHES		PRODUCT SPEC		
TOLERANCES UNLESS OTHERWISE SPECIFIED:		APPLICATION SPEC		
0 PLC ± -	1 PLC ± -	SIZE CAGE CODE DRAWING NO		
2 PLC ± -	3 PLC ± -	A1 00779 C=5554145		
4 PLC ± -	ANGLES ± -	RESTRICTED TO		
MATERIAL	FINISH	WEIGHT		
		CUSTOMER DRAWING SCALE 4:1 SHEET 1 OF 1 REV B		